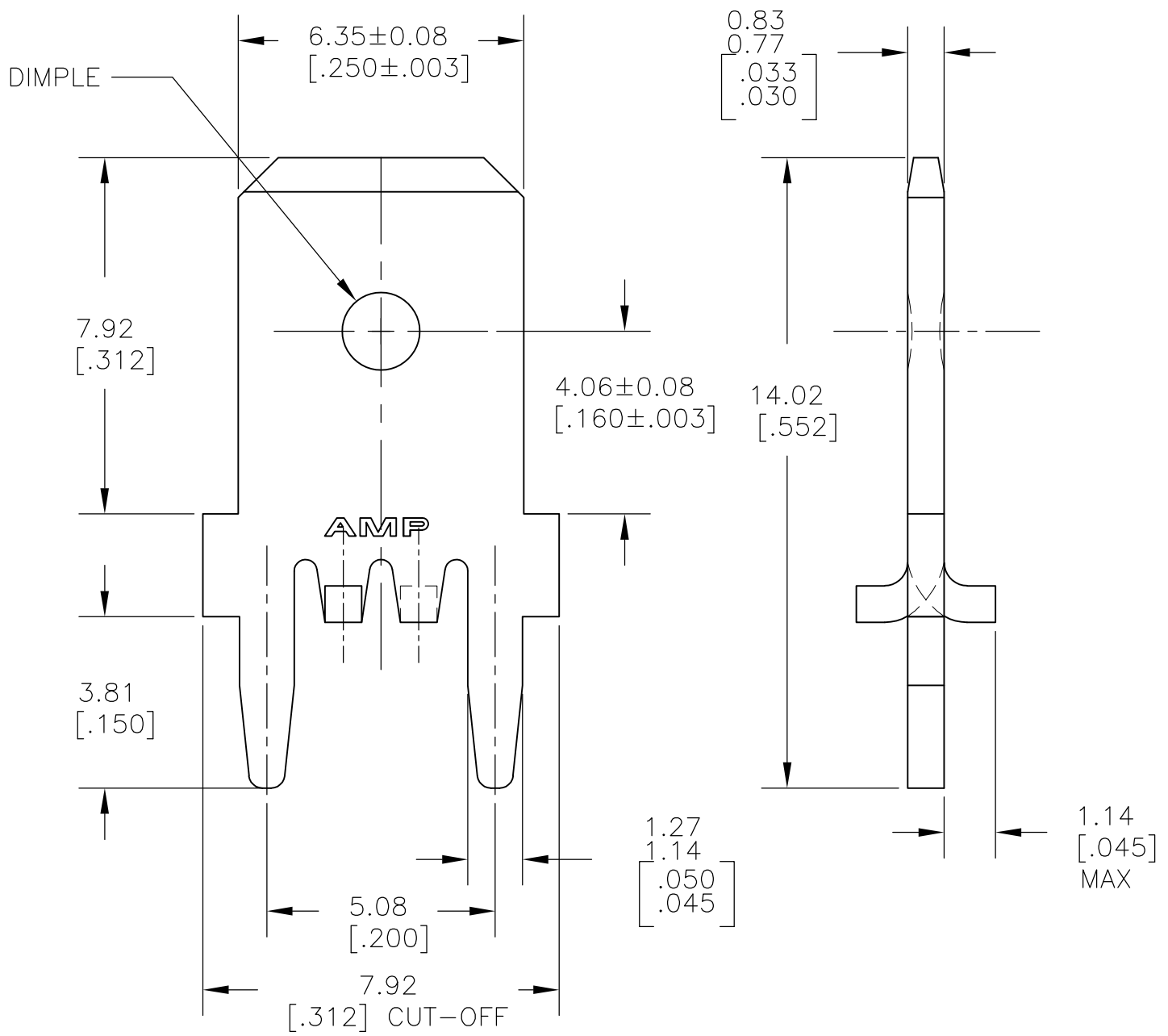
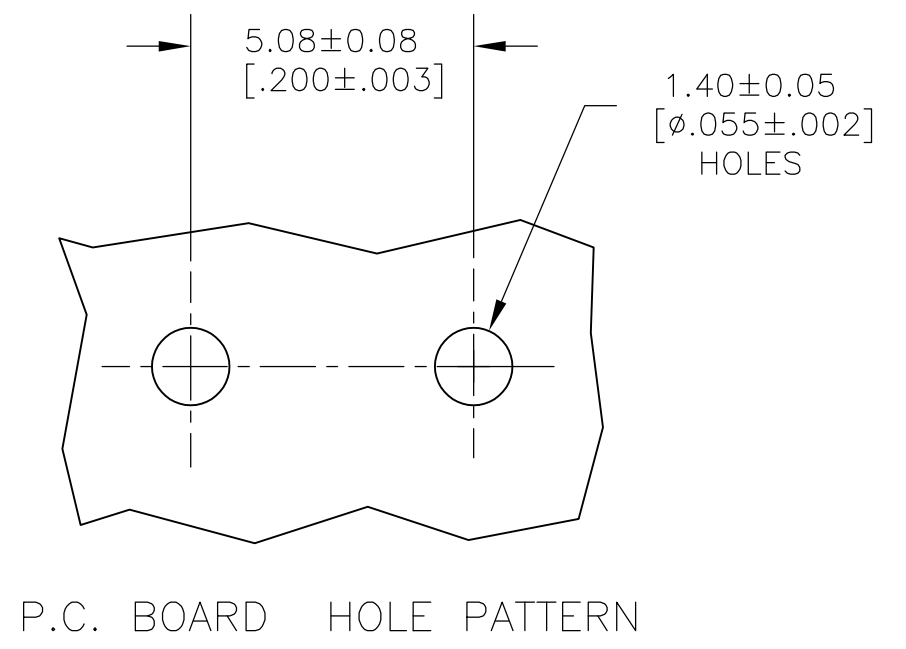


LOC	DIST	REVISIONS					
AF	50	P	LTR	DESCRIPTION	DATE	DWN	APVD
		H		REVISED PER ECR-13-001204	24JUN13	KH	PD



- 1 CONTINUOUS STRIP ON REELS.
- 2 TIN PLATE 0.00381 [.000150] MIN OVER 0.00127 [.000050] MIN THK NICKEL.



63862-1
PART NO.

THIS DRAWING IS A CONTROLLED DOCUMENT.		DWN	JR RUTH	20FEB01	TE Connectivity	NAME		TAB, FASTON, P.C.BOARD				
DIMENSIONS: mm[INCHES]		CHK	MS FEHER	20FEB01		PRODUCT SPEC		6.35 [.250]				
TOLERANCES UNLESS OTHERWISE SPECIFIED:		APVD	N DEIBERT	20FEB01		APPLICATION SPEC		SIZE	CAGE CODE	DRAWING NO		
0 PLC ± - 1 PLC ± - 2 PLC ± 0.25 [.010] 3 PLC ± - 4 PLC ± - ANGLES ± -		WEIGHT	114-2115	-		A3	00779	C-63862	RESTRICTED TO	-		
MATERIAL	BRASS	FINISH	2		CUSTOMER DRAWING		SCALE	8:1	SHEET	1 OF 1	REV	H